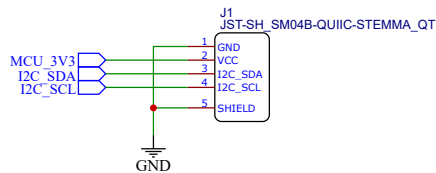
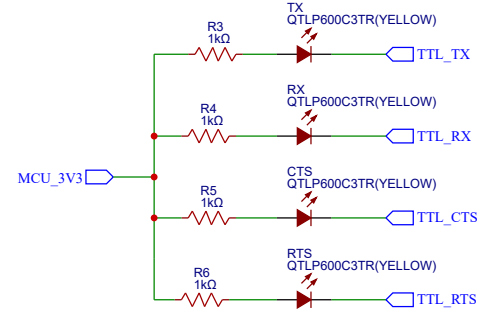
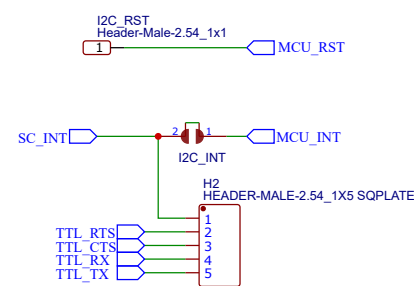
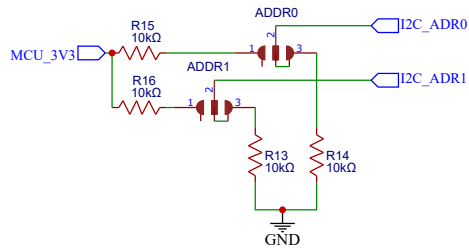
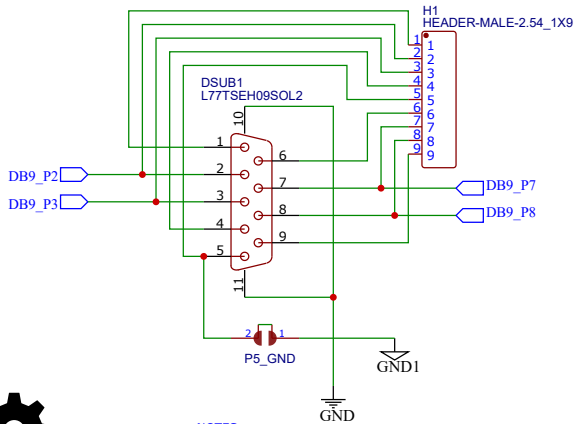
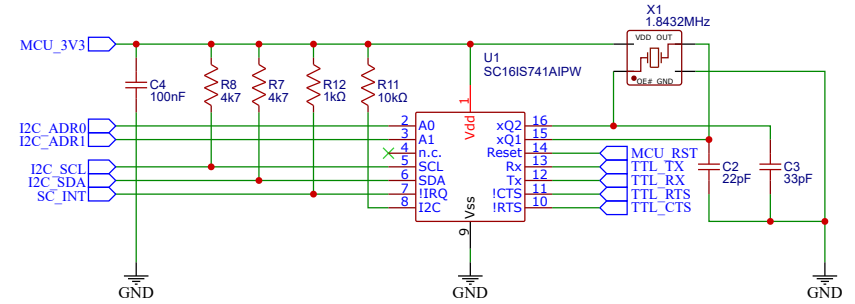
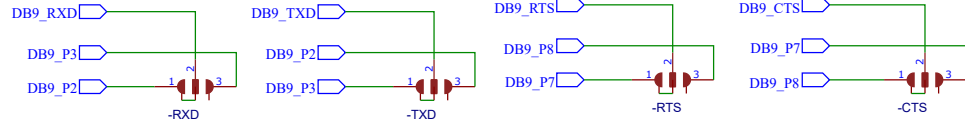
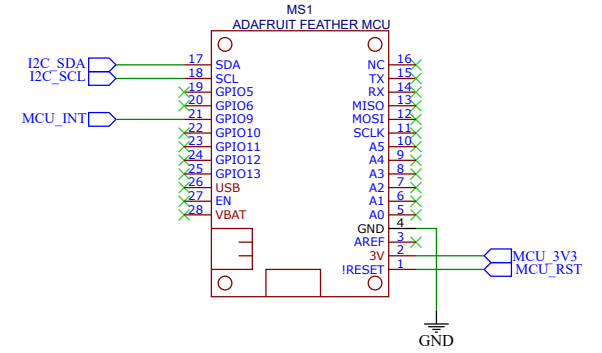
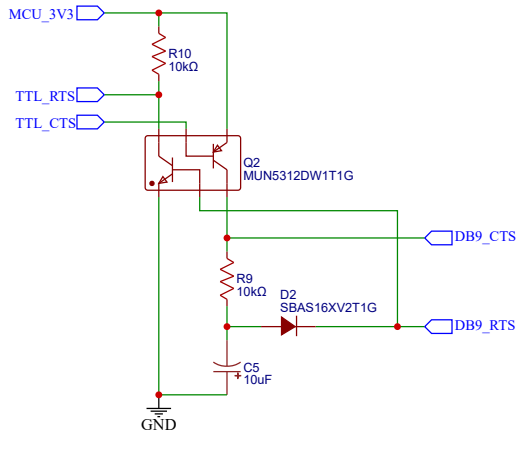
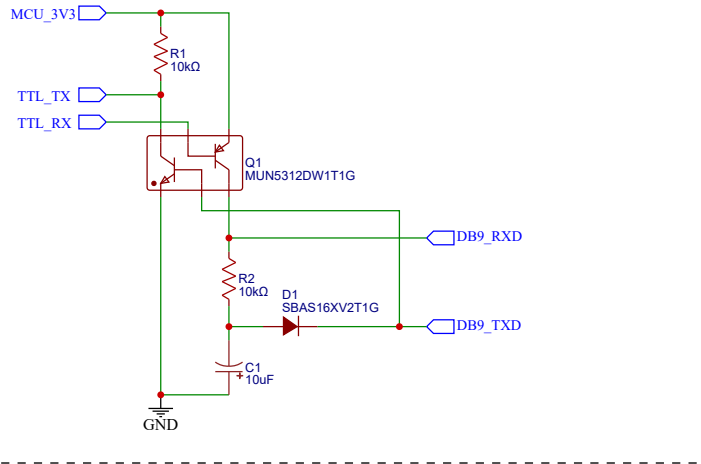


Original Reference Design: SparkFun RS232 Shifter SMD  
[https://github.com/sparkfun/RS232\\_Shifter#sparkfun-rs232-shifter-smd-no-db9](https://github.com/sparkfun/RS232_Shifter#sparkfun-rs232-shifter-smd-no-db9)



- NOTES:
- Pin 1: Carrier Detector (CD) not connected
  - Pin 4: Data Terminal Ready (DTR) not connected
  - Pin 6: Data Set Ready (DSR) not connected
  - Pin 9: Ring Indicator (RI) not connected

